

# Photo Control PCR Series Tower & Obstruction Lighting



10 YEAR WARRANTY

- Automatic Lighting Circuit Operation: Dusk to Dawn
- Meets FAA/FCC Requirements for Obstruction Lighting
- Two 20 A Load Contacts
- Direct Replacement of Popular Photo Controls
- Time Delay Eliminates Contact Chatter

## Description

The PCR Series of Photo Control is a combination of precision electronic circuitry, electromechanical output, and unique molded plastic housing. Designed and built to meet the demands of the most rigorous requirement of tower and obstruction lighting control. Each unit is factory calibrated to meet FAA and FCC specifications. Electronic circuit, output contactor, and terminal block are all contained within front plastic housing. Edge support molded into the bottom edge of housing allows easy wiring of new and existing installations. Available with or without cast aluminum junction box.

## Operation

When the amount of light sensed falls below the actuation level for energization, the output relay energizes. Conversely, when the amount rises above the actuation level for de-energization, the output relay de-energizes.

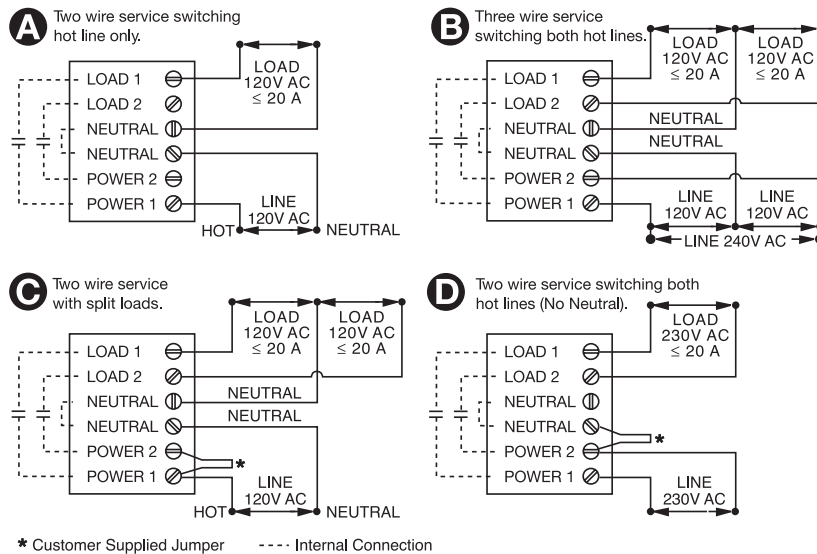
## CONVERSION CHART

Part Number	Replaces	
	Hughey & Phillips	Crouse Hinds
PCR11	PC800 120 V	PEC52010
PCR13	PC800 240 V	PEC52010-1

## Applications & Connections

The PCR Series Photo Control has a unique feature that allows the installer to have both hands free while wiring. The plastic front housing of the PCR has a slot at its bottom that slips over the edge of the cast aluminum box. When wiring is complete, simply lift up, insert into the box, and secure with four screws.

## Connection



## Ordering Table

Input	Description	Diagram	Part Number
120 V AC	Photo Control without aluminum box	A & B & C	PCR10
230 V AC	Photo Control without aluminum box	D	PCR12
120 V AC	Photo Control with aluminum box	A & B & C	PCR11
230 V AC	Photo Control with aluminum box	D	PCR13

# Photo Control

## PCR Series

### Tower & Obstruction Lighting

#### Technical Data

<b>Operation</b> Indication	LED indicates power is applied
<b>Set Points</b> Light Actuation Levels (Factory Calibrated)	Energized: $\leq 35$ fc De-energized: $\geq 60$ fc
<b>Input</b> Voltage/Frequency	120 V AC / 50 ... 60 Hz 230 V AC / 50 ... 60 Hz
Tolerance	120 & 230 V AC -20% ... +10%
<b>Output</b> Output Rating	Two SPST N.O. 20 A contacts 1 hp @ 120 V AC 2.5 hp @ 240 V AC
<b>Mechanical</b> Termination Package	Screw terminals for up to #8 (M4 x 0.7) AWG wire ABS plastic housing with gasket seal. Multiple knockout holes for optional mounting to Crouse Hinds or Hughey & Phillips cast aluminum electrical boxes.

#### Mechanical View

